

WATER COOLED LOW RIPPLE SWITCH MODE POWER SUPPLY

FM - PS3kW MAGNETRON / 2.45 GHz

:fm



GENERAL INFORMATION

FM - Low Ripple Switch Mode Power Supply for 3kW Magnetrons @ 2.45 GHz is a series of power switch supplies. These power supplies contain all the necessary circuitry to drive a remote magnetron with regulated power, ranging from 10% to 100% of the rated power output. They contain circuitry for a fixed delay for magnetron warm up and continuous filament cut back operation. The control circuitry also provides status indicators, remote power regulation and the necessary connectors for wiring an external interlock circuit to meet microwave specific security demands.

The PS3kW power supply is able to power all common magnetron types with a nominal power of 3kW @ 2.45 GHz.

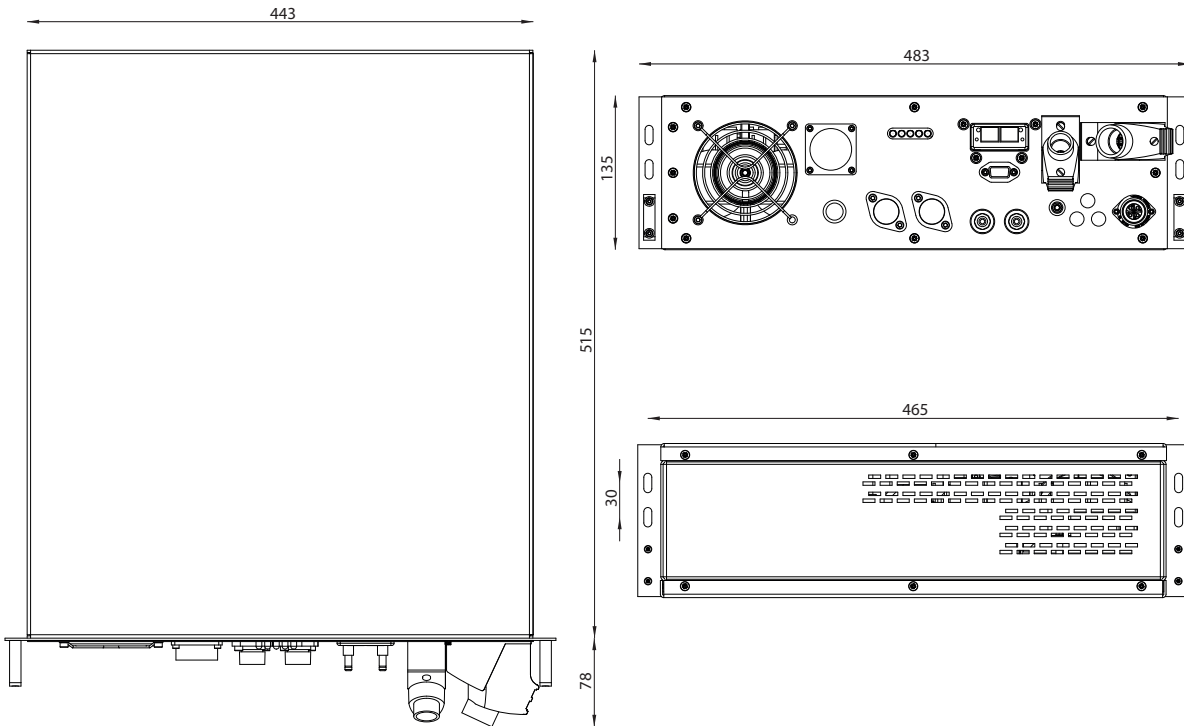
KEY FEATURES | TECHNICAL DETAILS

- 19" rack mounted
- Low Ripple Current $\leq 2\%$, ideally for plasma applications and most other applications
- Stable filament control prolong the magnetron life
- Microcontroller based monitoring and controlling of all important Magnetron Operating Parameters like High Voltage and Current
- Sophisticated Design allows the generator always working at the ideal operating point (high efficiency and longer magnetron lifespan)
- Low electromagnetic interference, improved fail-safe design against electromagnetic interference's
- Protective features to guard the magnetron and itself against failures
- Improved protective design to guard the person who accidentally touched the High Voltage
- Advanced alarm handling, all alarms can be displayed in a plain text Fieldbus-Interface
- Two different control options to suit most application requirements (e.g. PLC control or fieldbus control capabilities)
- Pulsability of microwave power

WATER COOLED LOW RIPPLE SWITCH MODE POWER SUPPLY

FM - PS3kW MAGNETRON / 2.45 GHz

:fm



SPECIFICATION

Electrical and Technical Data

Input	
Line Input	3 x 400 V _{AC}
Line Frequency	50 / 60 Hz
Input Power	4.72 kVA @ 400 V _{AC}
Maximum intake current	7.5A @ 360 V _{AC}
Output	
Output Power Magnetron	3000 W
Output Current	840 mA
Filament	Adjustable for all type of Magnetrons
Pulsability of microwave power	up to approx. 500 Hz, duty cycle depending on current pulse frequency
Control / Monitoring	
Power Adjustment Signal Range	0-10 V _{DC}
Interface	Profinet or analog PLC
Cooling	
Air Cooling	
Intake Airflow (without filter)	Appx. 45 m ³ /h
Intake Airflow (with FM filter)	Appx. 22 m ³ /h
Water Cooling	
Waterflow	≥0,5 l/min
Water Pressure	8 bar max.
Water temperature	+18°C to +22°C
Water quality	clear water
Mechanical Data	
Rackable	19" x 4U (482.6 x 135 mm)
Total Weight	Appx. 18 kg
Ambient Conditions	
Use	Indoor use only
Operation mode	Continous operation
Ambient Temperature	+5°C to +40°C operating
Relative Humidity	80% @ 30°C to 50% @ 40°C
Efficiency	>91%